

SD-425, KT-425

Standard AD board & kit for LCD display



Features

- VGA, HDMI, Audio, AV (RCA) and USB input
- Two On-board HDMI/DVI connector
- Optional two BNC connectors (one in, one out)
- For surveillance, industrial, digital signage application
- For 5.7" - 70" LCD panel with 2ch LVDS interface
- 2W+2W stereo audio
- Support NTSC/PAL
- Support USB player, MP3, JPEG, MPEG, AVI ...
- 12 / 24 Vdc power input
- Support IIC interface. Optional RS232 and IR control



Specifications

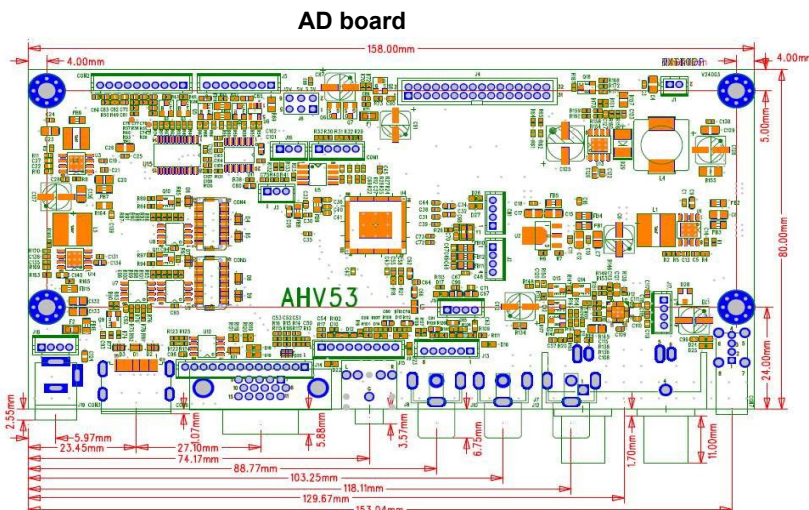
Video	Hor. Frequency	15 ~ 94 KHz
	Ver. Frequency	48 - 75 Hz
	Resolution	1920x1200 @60Hz
	Pixel rate	205MHz for Analog 225MHz for Digital
	Plug & Play	DDC
Colors	8 bit 16.7M true color	
	9300K, 7500K, 6500K, user mode	
OSD adjustment	Power, Item, Menu, Up, Down, Source Multi-languages	
Dimension	158 (L) x 80 (W) x 16.2 (H) mm	
	Packing quantity	50 pcs / carton
Temperature	Operation	0 ~ 70 degree C
	Storage	-20 ~ 80 degree C

Input	VGA connector	15 pin D-sub
	HDMI connector	HDMI v1.4
	Video connector	RCA connector
	Audio connector	RCA & phone jack
	DC connector	2.5mm diameter
Output	USB connector	2.0 host
	Speaker connector	4 pin connector
Power	DC input	12 Vdc / 0.7A
	Consumption	< 8W
	Power saving	< 1W
	Management	VESA DPMS
	Panel selection	3.3V / 5V / 12V
Agency	Auxiliary o/p	5V / 12V
	FCC / CE compliance	

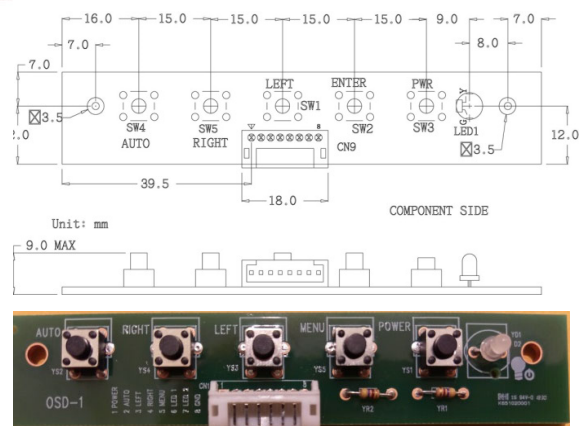
Ordering information

- Kit accessory :
 - 1). OSD board
 - 2). OSD wire
- Selected options :
 - 1). LVDS wire
 - 2). LED wire
 - 3). VGA / HDMI cable
 - 4). LED controller
 - 5). Power adapter
 - 6). Power cord

Product drawing



OSD board



* All specification and photos are subject to change without notice.