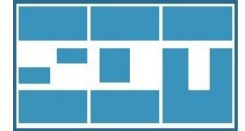


# SD-424 KT-424

Standard AD board & kit for LCD display



## Features

- DVI, HDMI, DP, Audio input
- HDMI 1.4, DP 1.2
- Flexible, low cost and high performance
- For LCD panel with 2ch LVDS or 2 lanes eDP interface
- 12 / 24 Vdc power input
- Dual channel stereo audio with 8 ohm 2W x 2
- Support I2C interface



## Specifications

Video	Hor. Frequency	30 ~ 94 KHz
	Ver. Frequency	48 - 75 Hz
	Resolution	1920x1080 @60Hz
	Pixel rate	225MHz for digital
		18G bps for HDMI
2.7G bps/lane for DP		
Plug & Play	DDC	
Colors	8 bit 16.7M true color	
	9300K, 6500K, 5700K, user mode	
OSD adjustment	Power, Menu, Up, Down, Source English, Chinese(T)	
Dimension	130 (L) x 55 (W) x 12.5 (H) mm	
	Packing quantity	50 pcs / carton
Agency	FCC / CE compliance	

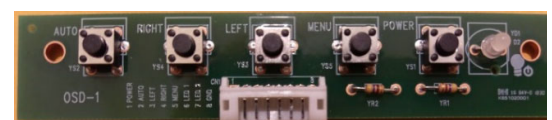
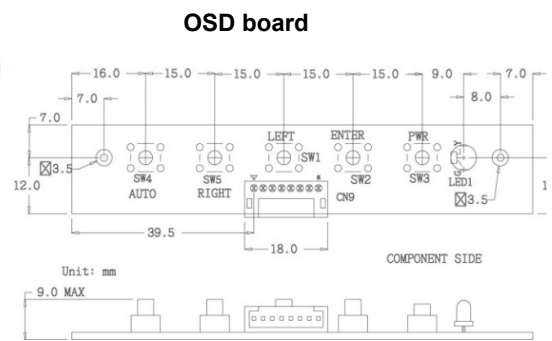
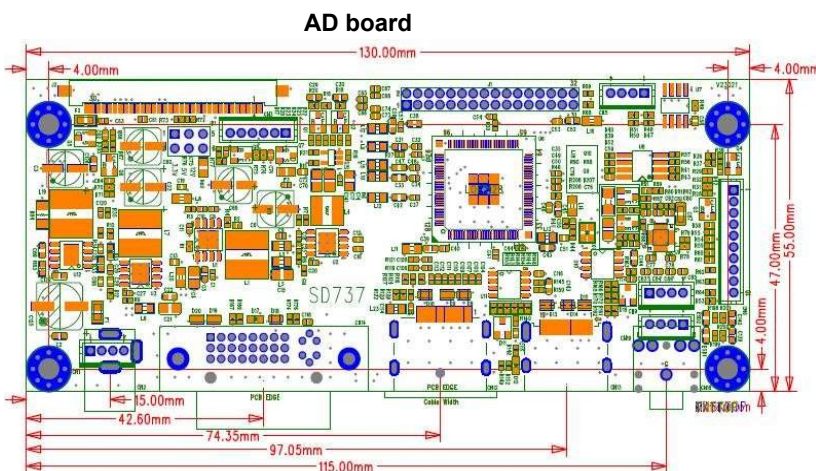
Input	DVI connector	24+1P D-sub
	HDMI connector	HDMI v1.4
	Display port	V 1.2
	Audio connector	3.5mm phone jack
	DC connector	2.1mm diameter
Power	DC input*	12 Vdc / 0.7A
	Consumption	< 8W
	Power saving	< 1W
	Management	VESA DPMS
	Panel selection	3.3V / 5V / 12V
	Auxiliary o/p	12V / 3.3V
Temperature	Operation	0 ~ 70 degree C
	Storage	-20 ~ 80 degree C

\* Changeable to 2.5mm diameter DC jack.

## Ordering information

- Kit accessory :
  - 1). OSD board
  - 2). OSD wire
- Selected options :
  - 1). LVDS / eDP wire
  - 2). LED wire
  - 3). DVI cable
  - 4). HDMI cable
  - 5). LED controller
  - 6). Power adapter
  - 7). Power cord
  - 8). Audio cable
  - 9). DP cable

## Product drawing



\* All specification and photos are subject to change without notice.

12.0

