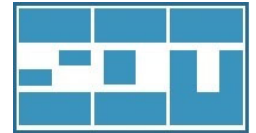


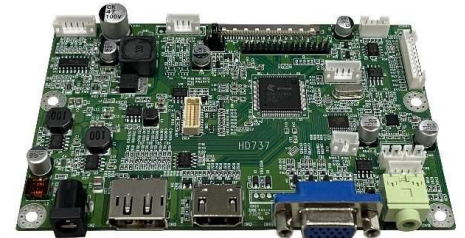
SD-423 KT-423

Standard AD board & kit for LCD display



Features

- VGA, HDMI, DP, Audio input
- Optional on-board HDMI/DVI input wafer
- Flexible, low cost and high performance
- For LCD panel with 2ch LVDS or 2 lanes eDP interface
- Embedded 4 strings LED driver (max. 15W in total)
- Dual channel stereo audio with 8 ohm 2W x 2
- Support RS232 and I2C interface



Specifications

Video	Hor. Frequency	30 ~ 94 KHz
	Ver. Frequency	48 - 75 Hz
	Resolution	1920x1080 @60Hz
	Pixel rate	210MHz for analog
		225MHz for digital
Plug & Play	DDC	
Colors	8 bit 16.7M true color	
	9300K, 6500K, 5700K, user mode	
OSD adjustment	Power, Menu, Up, Down, Source English, Chinese(T)	
Dimension	130 (L) x 83 (W) x 14.5 (H) mm	
	Packing quantity	50 pcs / carton
Agency	FCC / CE compliance	

Input	VGA connector	15 pin D-sub
	on-board HDMI/DVI	1mm 2x10P wafer
	HDMI connector	HDMI v1.4
	Display port	V 1.2
	Audio connector	3.5mm phone jack
Power	DC connector	2.1mm diameter
	DC input*	12 Vdc / 0.7A
	Consumption	< 8W
	Power saving	< 1W
	Management	VESA DPMS
Temperature	Panel selection	3.3V / 5V / 12V
	Auxiliary o/p	12V / 5V
	Operation	0 ~ 70 degree C
	Storage	-20 ~ 80 degree C

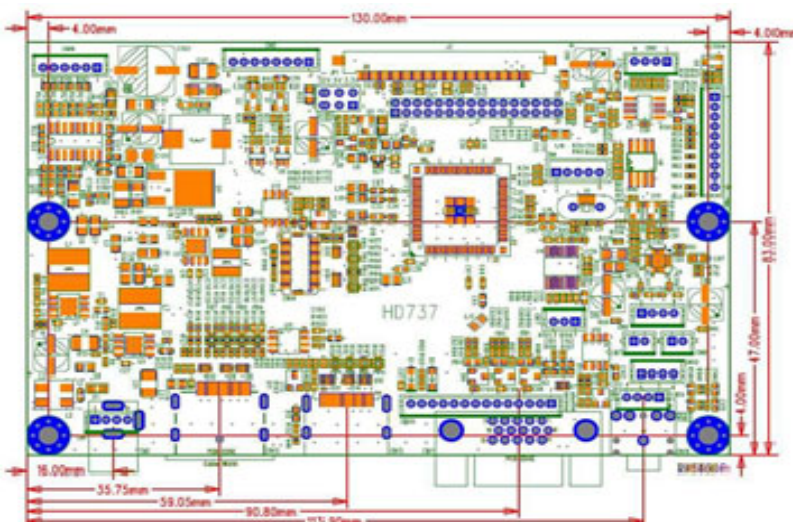
* Changeable to 2.5mm diameter DC jack.

Ordering information

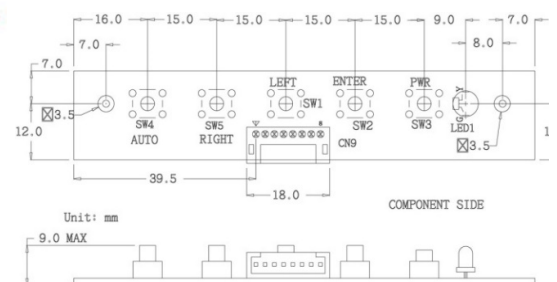
- Kit accessory :
 - 1). OSD board
 - 2). OSD wire
- Selected options :
 - 1). LVDS / eDP wire
 - 2). LED wire
 - 3). VGA cable
 - 4). HDMI cable
 - 5). LED controller
 - 6). Power adapter
 - 7). Power cord
 - 8). Audio cable
 - 9). DP cable

Product drawing

AD board



OSD board



* All specification and photos are subject to change without notice.

|

|

12.0

