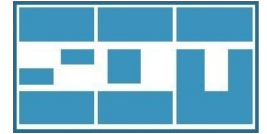


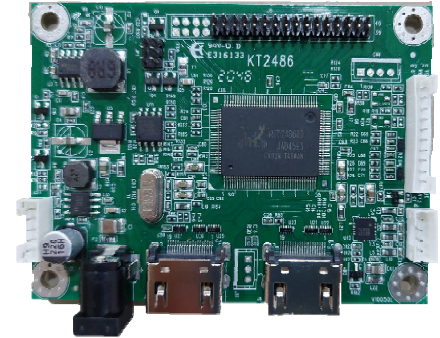
SD-418, KT-418

Standard AD board & kit for LCD display



Features

- Two HDMI 1.4 / HDCP 1.3 input
- Flexible, low cost and high performance
- For industrial, kiosk, gaming, digital signage application
- For LCD panel with LVDS interface
- Support 8 and 10 bits true color
- Dual channel stereo audio with 8 ohm 2W x 2
- Optional IIC control for light sensor



Specifications

Video	Hor. Frequency	30 ~ 94 KHz
	Ver. Frequency	48 - 75 Hz
	Resolution	1920x1080 @60Hz
	Pixel rate (LVDS)	135MHz for single 210MHz for dual
	Plug & Play	DDC/CI
Colors	8/10 bits true color	
	9300K, 7500K, 6500K, user mode	
OSD adjustment	Power, Menu, R, L, Auto	
	Multi-languages	
Temperature	Operation	0 ~ 50 degree C
	Storage	-40 ~ 70 degree C

Input	HDMI connector x2	HDMI v1.4,
	Optional DC input	4pin 2.0mm wafer
Power	DC input *	12 Vdc/0.85A/2.0D
	Consumption	< 10.2W
	Power saving	< 1W
	Management	VESA DPMS
	Panel selection	3.3V / 5V / 12V
Dimension	82 (L) x 60 (W) x 12.5 (H) mm	
	Packing quantity	100 pcs / carton
Agency	FCC / CE compliance	

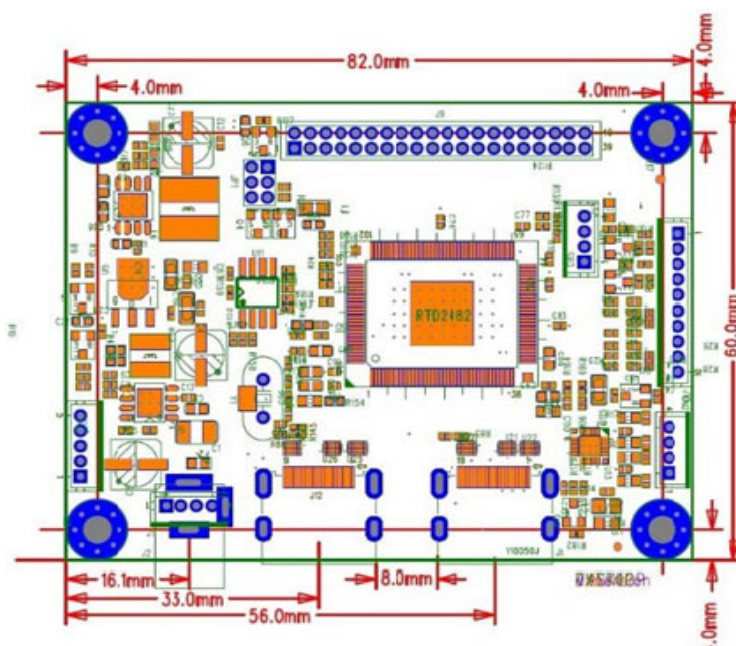
* Changeable to 2.5mm diameter DC jack.

Ordering information

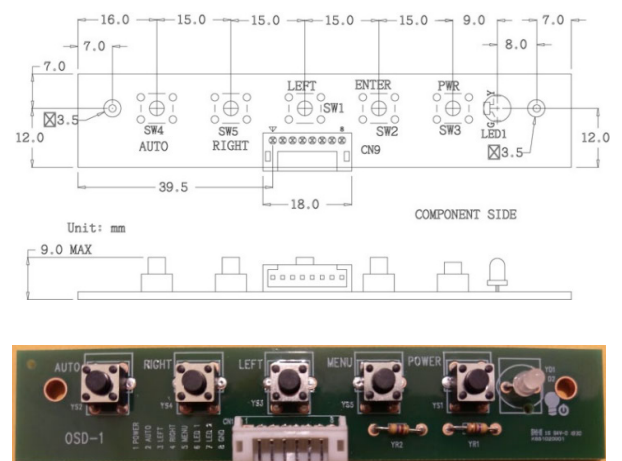
- Kit accessory :
 - 1). OSD board
 - 2). OSD wire
- Selected options :
 - 1). LVDS wire
 - 2). LED wire
 - 3). HDMI cable
 - 4). LED controller
 - 5). Power adapter
 - 6). Speaker
 - 7). Power cord

Product drawing

AD board



OSD board



* All specification and photos are subject to change without notice.