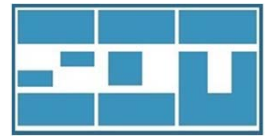


SD-407, KT-407

Standard AD board & kit for LCD display



Features

- VGA, Audio and AV (RCA) input
- On-board HDMI/DVI connector
- Flexible, low cost and high performance
- For surveillance, industrial, digital signage application
- For 5.7" - 70" LCD panel with LVDS interface
- 2W+2W stereo audio
- Support NTSC/PAL/SECAM
- Support USB player, MP3, JPEG



Specifications

Video	Hor. Frequency	15 ~ 94 KHz
	Ver. Frequency	48 - 75 Hz
	Resolution	1920x1200 @60Hz
	Pixel rate	205MHz for Analog 225MHz for Digital
	Plug & Play	DDC 1/2 Bi, 2B+
Colors	8 bit 16.7M true color	
	9300K, 7500K, 6500K, user mode	
OSD adjustment	Power, Item, Menu, Up, Down, Source	
	Multi-languages	
Dimension	132 (L) x 80 (W) x 14 (H) mm	
	Packing quantity	50 pcs / carton
Temperature	Operation	0 ~ 70 degree C
	Storage	-20 ~ 80 degree C

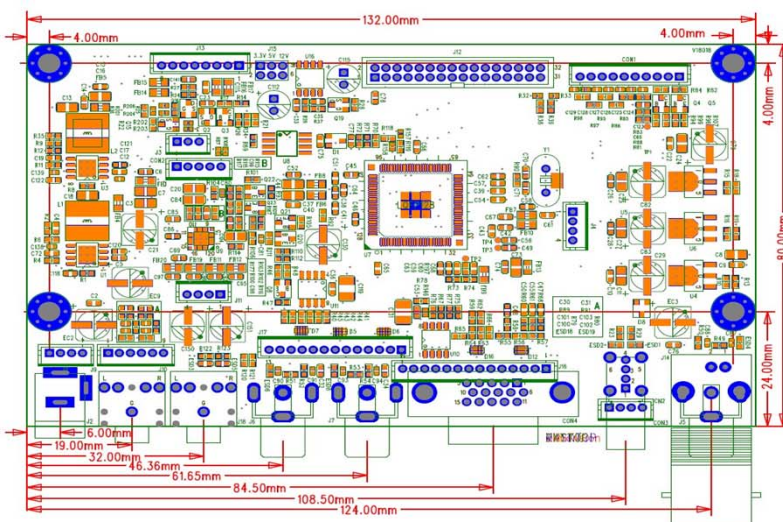
Input	VGA connector	15 pin D-sub
	HDMI connector	HDMI v1.4, HDCP v1.2
	Video connector	RCA connector
	Audio connector	RCA & phone jack
	DC connector	2.5mm diameter
Output	Speaker connector	2.0 host
	Speaker connector	4 pin connector
Power	DC input	12 Vdc / 0.4A
	Consumption	~ 5W
	Power saving	< 0.3W
	Management	VESA DPMS
	Panel selection	3.3V / 5V / 12V
Agency	Auxiliary o/p	5V
	FCC / CE compliance	

Ordering information

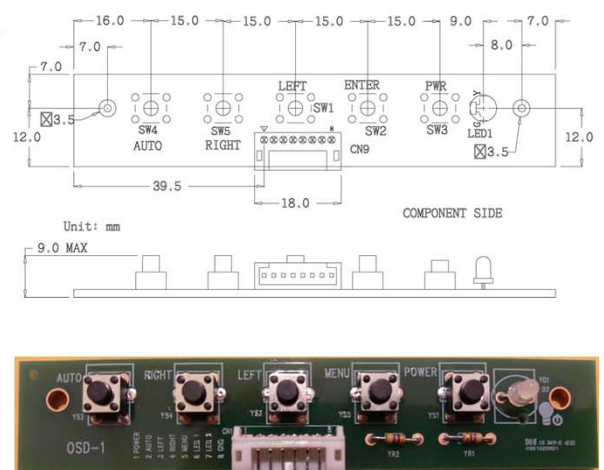
- Kit accessory :
 - 1). OSD board
 - 2). OSD wire
- Selected options :
 - 1). LVDS wire
 - 2). LED wire
 - 3). VGA cable
 - 4). LED controller
 - 5). Power adapter
 - 6). Power cord

Product drawing

AD board



OSD board



* All specification and photos are subject to change without notice.